

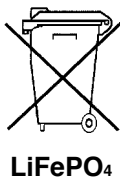
Using instructions Solar PIR lamp „Pesaro 95“

Customer care:

If you have any problems or questions about this product, just contact us!
esotec GmbH, Industriegebiet Weberschlag 9, D-92729 Weiherhammer
Internet: www.esotec.de
 Via phone: +49 9605-92206-0
 By e-mail for spare parts **orders : ersatzteil@esotec.de**
 By e-mail for questions about the product: **technik@esotec.de**
Internet: www.esotec.de
Manufacturer Part Number: 102741

Battery disposal

Batteries must not be disposed of with the household waste. The consumer is legally obliged to return batteries after use, for example to public collection points or where such batteries are sold.
 Batteries containing pollutants are marked with the symbol "crossed out garbage can" and one of the chemical symbols.



Warning:

- Batteries do not belong in the hands of children. Never leave batteries lying around openly, there is a risk of them being swallowed by children or pets.
- Batteries must never be short-circuited, dismantled or thrown into fire. There is a risk of explosion!
- Leaking or damaged batteries can cause burns if they come into contact with the skin, so use suitable protective gloves in this case.
- When changing the batteries, only batteries of the same construction may be used. Under no circumstances should old batteries be used as they cannot be recharged.
- Make sure the polarity is correct when inserting or connecting the batteries.
- If the device is not used for a longer period of time (e.g. storage), remove the inserted batteries to avoid damage from leaking batteries.

Disposal:

Dear customer,
 Proper disposal of old devices is mandatory!
 Should you ever want to part with this article, please keep in mind that many of its components are made of valuable raw materials and can be recycled.
 Therefore do not dispose of it in the garbage can, but rather please take it to your collection point for electrical devices.
 Thank you for your help!



1. Introduction

Dear customer, thank you for purchasing this product.
 You have acquired a product that has been built according to the current state of the art.

CE The product meets the requirements of the applicable European and national guidelines. The conformity with these requirements has been proven, and the corresponding declarations and documents are deposited with the manufacturer.

In order to ensure the product continues to meet these requirements, and to ensure safe operation, you as the user must observe these operating instructions.

2. Safety instructions

! The guarantee and the warranty expire in the event of damage to the product caused by failure to observe these operating instructions. We are not liable for any consequential damage!

The same applies to property damage or personal injury caused by improper handling or failure to observe the safety instructions.

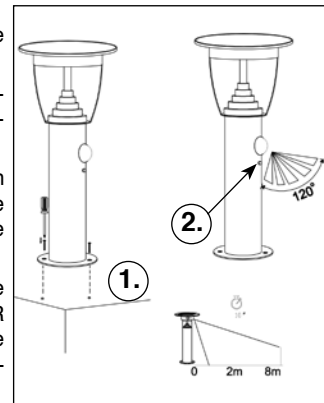
- Unauthorised modifications or other changes to the product are not permitted. The guarantee and the CE approval expire in this event.
- Make sure that the light does not get into the hands of children. It is not a toy!
- Keep plastic film or other packaging material away from children, there is a risk of suffocation.
- This product is only suitable for private use!

3. Intended Use

The solar module built into the upper part converts sunlight into electricity. The built-in battery is charged with this energy.
 The light can be operated in three different modes depending on the time of year and the installation location. These operating modes can be conveniently selected using a button on the PIR sensor.
 When the battery is empty, the light switches off automatically. The solar light is suitable for year-round outdoor use. The nighttime lighting duration is heavily dependent on the amount of sunlight and the angle of incidence on the solar module during the day. **Solar lights must always be placed in the sunlight without shadows. Operation on the north side or in the shade of trees or bushes is not recommended!**

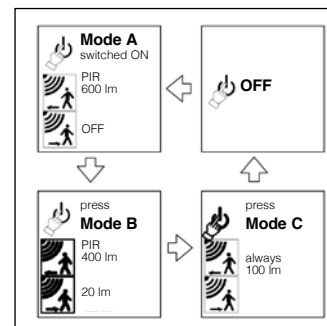
4. Installation

1. Carefully remove the parts from the packaging.
 2. Mount the lamp at the intended location using the screws and dowels supplied (point 1).
- Note:** Please note the detection range of the motion sensor. The detection angle is 120° and the range is max. 8 m.
3. 3 different operating modes can be selected using the button on the PIR sensor (point 2). The solar module should be covered. Proceed as follows:



Note: When switching on and changing the operating modes, the lamp lights up for a short time until the corresponding mode is activated.

- **press button: (Mode A):** The lamp does not light up in the dark, upon movement the lamp lights up with 600 lm, 10 seconds after the last movement the light switches off!
- **press button: (Mode B):** The lamp shines at a dimmed level with 20 lm in the dark, upon movement the lamp shines with 400 lm, 10 seconds after the last movement the lamp goes back to 20 lm.

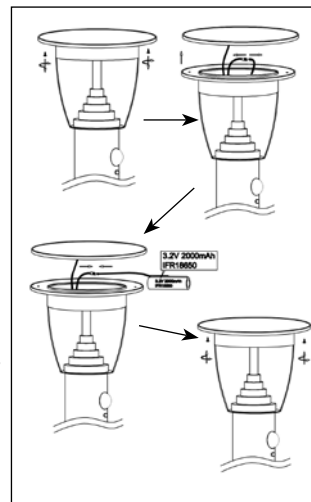


- **press button: (Mode C):** The lamp always shines at 100 lm in the dark. The PIR sensor is switched off.
- **press button:** Lamp switched off, battery is still being charged!

Note: The duration of the light depends heavily on the intensity and duration of sunlight during the day. In the winter months, you can generally expect less lighting time. If the light does not light up on the first evening, please wait for a sunny day.

5. Changing the battery

1. Switch off the light with the button next to the PIR sensor.
 2. Loosen the two screws on the underside of the solar module and remove the cover.
 3. Take out the old battery and disconnect the connector.
 4. Replace the battery with an identical type and reconnect the connector.
- Note:** The plug connection is protected against polarity reversal. Please do not use force!
5. Put the cover back on and screw the screws back in with a suitable screwdriver.
 6. Now switch the light back to the desired operating mode using the button on the PIR motion sensor (see point 4).



Note: Used batteries or accumulators must be disposed of in an environmentally friendly manner and do not belong in the household waste. Your dealer is legally obliged to take back old batteries.

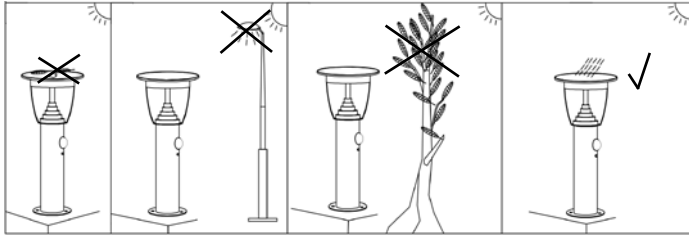
6. Malfunctions

The lamp does not switch on in the dark

- An extraneous light source (e.g. street lamp) simulates daylight and prevents the light from being switched on. Place the lamp in a darker place
- See picture below: No leaves or dirt on the solar module, no extraneous light at night, no shadow on the solar module!

The lamp does not switch on or only switches on briefly in the dark.

- Is the light switched on?
- Battery weak or defective? Replace the battery!



7. Technical specifications

Solar module:	2.8 Wp crystalline
Light colour:	3000 K
Light intensity:	20 lm, 100 lm, 400 lm or 600 lm depending on the operating mode
Light source:	36 SMD LEDs
Lighting time:	max. 8 hours with a fully charged battery in operating mode 1 (lamp always lights up with 100 lm in the dark, PIR sensor is switched off!)
Protection class:	IP 44
Protection class:	III
Battery pack:	1x LiFePo ₄ 3.2 V / 2000 mAh (with electronics) Replacement Art.-No: 901044 (www.esotec.de)