

# Instruction manual

## Solar light globes „Siena“



### 3. Function and intended use

The solar light is suitable for outdoor use. It is made of high-quality materials and thus guarantees a long functional life over many years.

The solar module reliably charges the built-in battery when the sun is shining. When there is little sunlight, the battery can also be charged via a USB charging port. The light switches on automatically at night. 5 energy-saving LEDs are installed as light sources.

The light colour and the operating mode can be conveniently controlled via an IR remote control.

The solar light must be installed in a sunny, shadow-free location.

**Note:** During longer periods without sunshine, the battery is insufficiently charged via sunlight and the light does not work in the evening. **However, this does not mean that the solar light is defective.** Wait for the next sunny days and the luminaire will work accordingly again.

### 4. Installation

The solar light must be placed in a shadow-free and sunny place. This ensures the optimal lighting period. Before setting up, charge the solar light in direct sunlight or via the USB charging connection while it is **switched on**.

#### Proceed as follows:

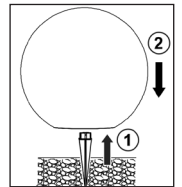
- Carefully remove the parts from the packaging.
- Press the **(ON / OFF)** switch on the underside of the solar light for 2 seconds.

The light is now switched on. Now charge the light for a few hours in full sunlight or via the USB charging port.

- The light can either be placed directly on the ground or fixed in the ground with the enclosed ground spike.

When it gets dark, the light switches on automatically.

The light colour and the operating mode can either be selected using the **ON/OFF** switch on the underside of the light or using the IR remote control provided.



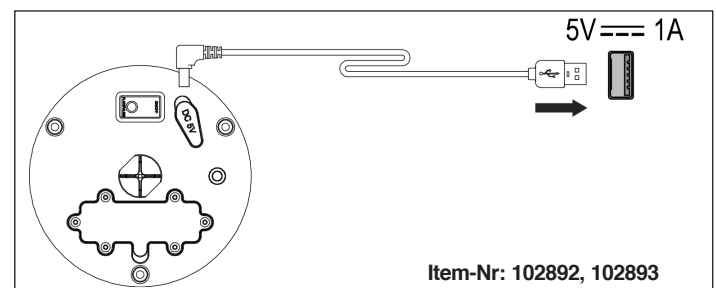
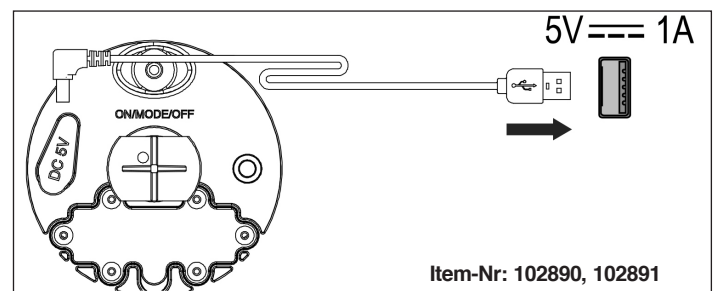
#### 4.1 Charging with a USB cable

The battery in the light can be charged using the enclosed cable and a USB power supply unit (not included). The battery is fully charged after approx. 5-6 hours.

**Note:** To charge you need to open the rubber cover on the bottom of the sphere.

- Display lights up red: Charging continues
- Display does not light up: Charging completed.

**Caution:** Charging with a USB power supply unit may only be done indoors.



#### Customer support:

If you have problems or questions regarding this product, simply contact us!  
 esotec GmbH, Industriegebiet Weberschlag 9, D-92729 Weiherhammer  
**Internet: www.esotec.de**  
 By phone: +49 9605-92206-0  
 By e-mail for ordering spare parts: [ersatzteil@esotec.de](mailto:ersatzteil@esotec.de)  
 By e-mail for questions about the product: [technik@esotec.de](mailto:technik@esotec.de)  
**Manufacturer Item No.: 102890, 102891, 102892 and 102893**

#### Battery take-back

- Batteries must not be discarded into domestic waste.
- The consumer is legally required to return batteries after use, e.g. to public collecting centers or to battery distributors.
- Contaminant-containing batteries are labeled with the sign "crossed-out trashcan" and one of the chemical symbols. Used batteries should be disposed environmentally friendly and should not be discarded into domestic waste. Your dealer is legally required to take back old batteries.



#### Rechargeable battery notes

- Rechargeable batteries should not be played with by children. Never leave rechargeable batteries lying around; they could be swallowed by children or pets.
- Rechargeable batteries must never be short-circuited, disassembled or thrown into fire. This leads to a danger of explosion!
- Leaking or damaged rechargeable batteries can cause chemical burns when they come into contact with skin. For this reason, please make use of suitable protective gloves.
- Rechargeable batteries should only be replaced by structurally identical rechargeable batteries from the same manufacturer. Normal batteries must not be used since these are not rechargeable.
- Make sure the rechargeable batteries are inserted with the correct polarity.
- For long periods of time of non-use (for example, storage), remove the inserted rechargeable batteries to avoid damages via the leaking rechargeable batteries.

#### Disposal:

Dear customer, please cooperate in avoiding waste. When you intend to dispose of the product in future, please consider that it contains valuable raw materials suited for recycling. Therefore, do not dispose it of with domestic waste but bring it to a collection point for the recycling of waste electrical and electronic equipment.



Thank you very much for your cooperation!

### 1. Introduction

Dear customer, thank you for purchasing this product. You have acquired a product that has been built according to the current state of the art.

**CE** The product meets the requirements of the applicable European and national guidelines. The conformity with these requirements has been proven, and the corresponding declarations and documents are deposited with the manufacturer. In order to ensure the product continues to meet these requirements, and to ensure safe operation, you as the user must observe these operating instructions.

### 2. Safety instructions

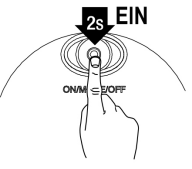


The guarantee and the warranty expire in the event of damage to the product caused by failure to observe these operating instructions. We are not liable for any consequential damage!

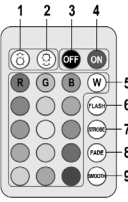
The same applies to property damage or personal injury caused by improper handling or failure to observe the safety instructions.

- Unauthorised modifications or other changes to the product are not permitted. The guarantee and the CE approval expire in this event.
- Make sure that the light does not get into the hands of children. It is not a toy!
- Keep plastic film or other packaging material away from children, there is a risk of suffocation.
- This product is only suitable for private use!

## 4.2 Operation via the ON/OFF switch:

	1x	Switch on the product (hold down for 2 seconds)
	2x	Permanent colour red
	3x	Permanent colour orange
	4x	Permanent colour dark yellow
	5x	Permanent colour yellow
	6x	Permanent colour light yellow
	7x	Permanent colour green
	8x	Permanent colour light green
	9x	Permanent colour cyan
	10x	Permanent colour light blue
	11x	Permanent colour sky blue
	12x	Permanent colour blue
	13x	Permanent colour dark blue
	14x	Permanent colour brown
	15x	Permanent colour aubergine
	16x	Permanent colour purple
	17x	Permanent colour white
	18x	Fast colour change (7 colours)
	19x	Fast colour flash (red, green, blue)
	20x	Fluid colour transition (red, green, blue)
	21x	Fluid colour transition (15 colours)
	22x	Repeating as described above
To switch the light off, press and hold the ON/Mode/OFF button for 2 seconds!		

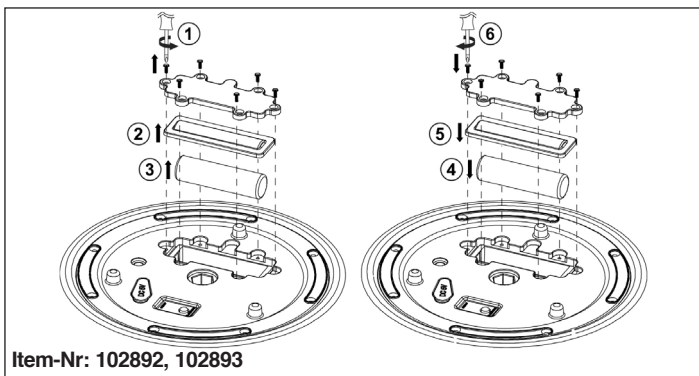
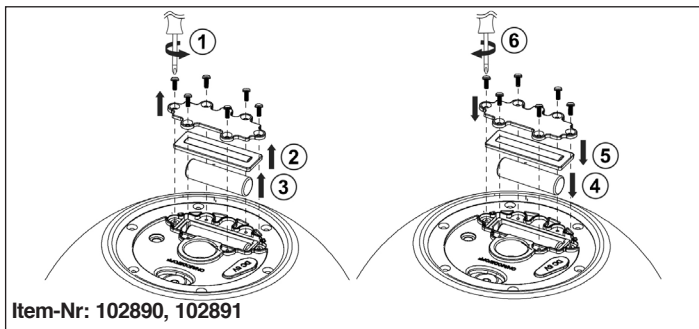
## 4.3 Operation via the IR remote control

	1	Adjust the brightness (increase)
	2	Adjust the brightness (decrease)
	3	OFF
	4	ON
	5	Permanent colour: 16 light colours can be selected. Adjustable brightness
	6	Fast colour change (7 colours)
	7	Fast colour flash (red, green, blue)
	8	Fluid colour change (red, green, blue)
	9	Fluid colour change (15 colours)

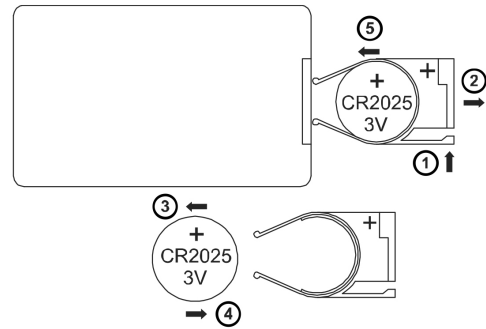
## 5.1 Changing the battery in the solar light

On average, the battery in the solar light has to be replaced every 2-3 years with a new battery of the same type and design. You can recognise the need for a change by the fact that the burn time decreases massively when exposed to sunlight. You can obtain the replacement battery from your retailer or directly from the manufacturer at [www.esotec.de](http://www.esotec.de)

Please proceed as follows when changing:



## 5.2 Changing the battery in the remote control



## 6. Malfunctions

### Light does not switch on at night!

**Remedy:** Is the solar module illuminated by extraneous light (e.g. spotlights)? Position the solar module in a darker place!

**Remedy:** Is the light switched on?

**Remedy:** The battery in the light has reached the end of its service life? As a rule, the batteries have to be replaced with identical types every 2-3 years!

## 7. Care and maintenance

Clean the solar light with a soft cloth. Never use abrasives or solvents. If the light is not used for a longer period of time, please remove the battery from the light and store it in a dry place.

## 8. Technical specifications

Item no:	102890, 102891	102892, 102893
Solar module:	4 V/ 100 mA crystalline	5 V/ 250 mA crystalline
Light source:	2 RGB, 2 x warm white LED (3000 K)	
Light intensity:	Approx. 5 lm	Approx. 10 lm
Lighting time:	Approx. 6 hours with a fully charged battery	
Battery:	LiFePO <sub>4</sub> 3,2 V/ 500 mAh	Li-ion 3,7 V/1.500 mAh
Battery size:	14500	18650
USB charge:	5 V/ max. 1 A	
USB cable length:	1,2 m (without power supply)	1,5 m (without power supply)
Protection class:	IP 44	IP 44
Protection class:	III	III
Remote control:	Battery 3 V, CR2025	

You can find all spare parts at [www.esotec.de](http://www.esotec.de)